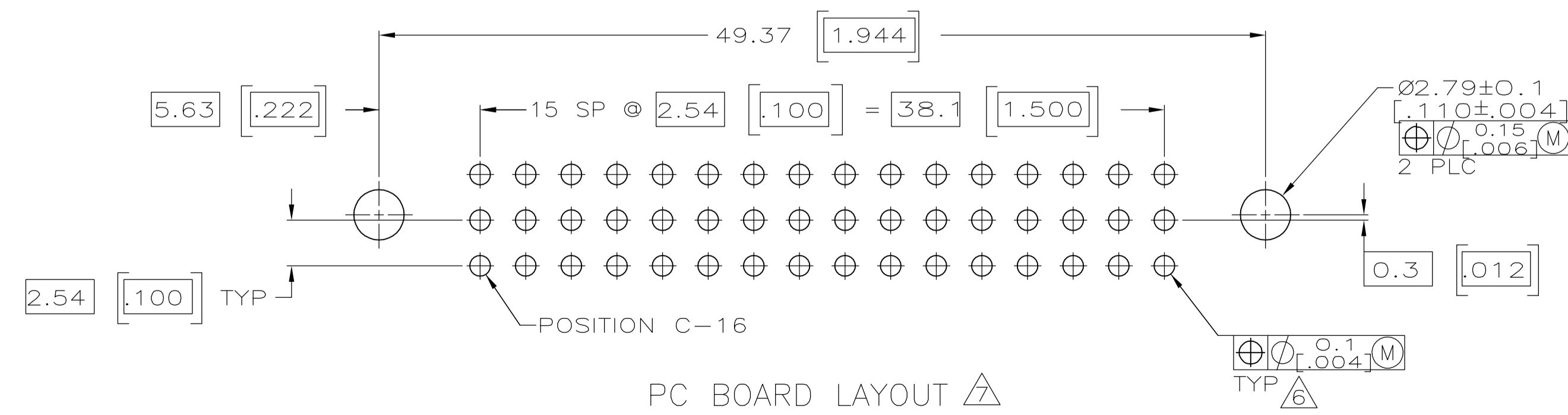
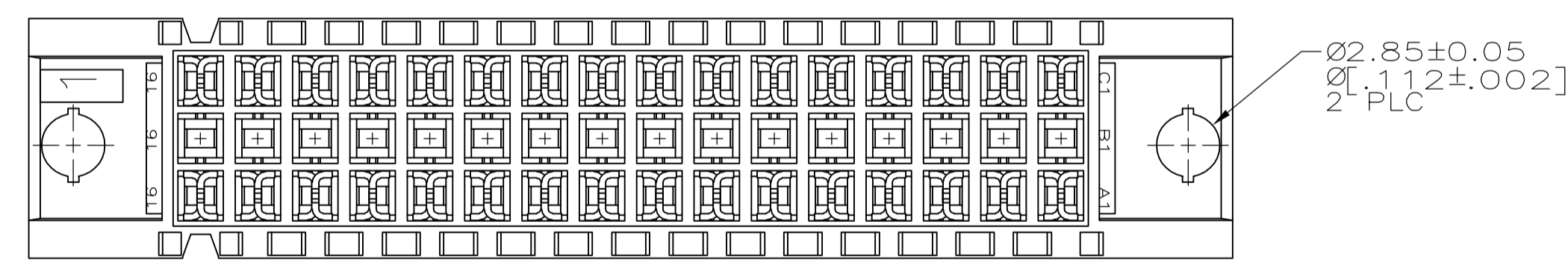
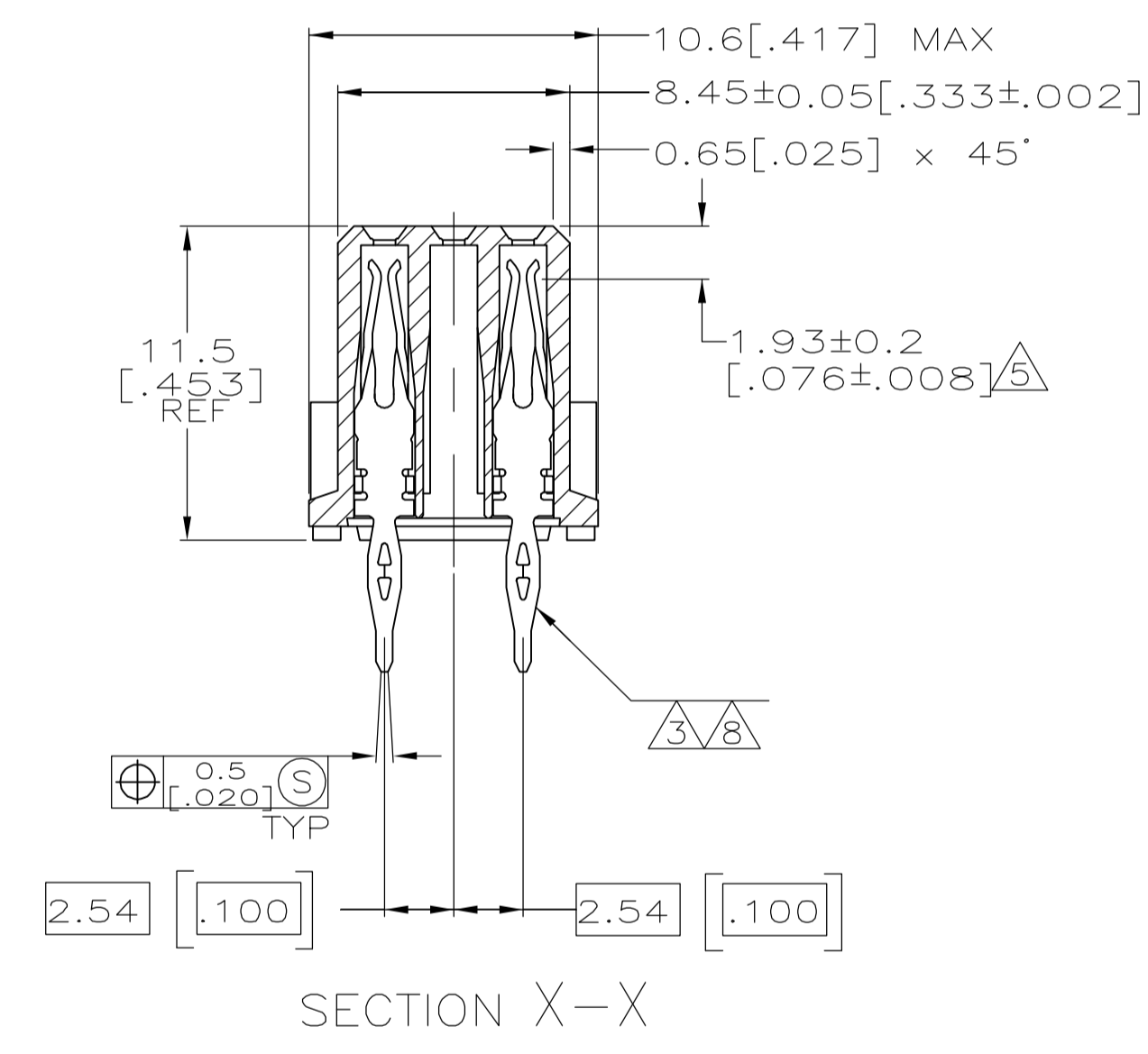
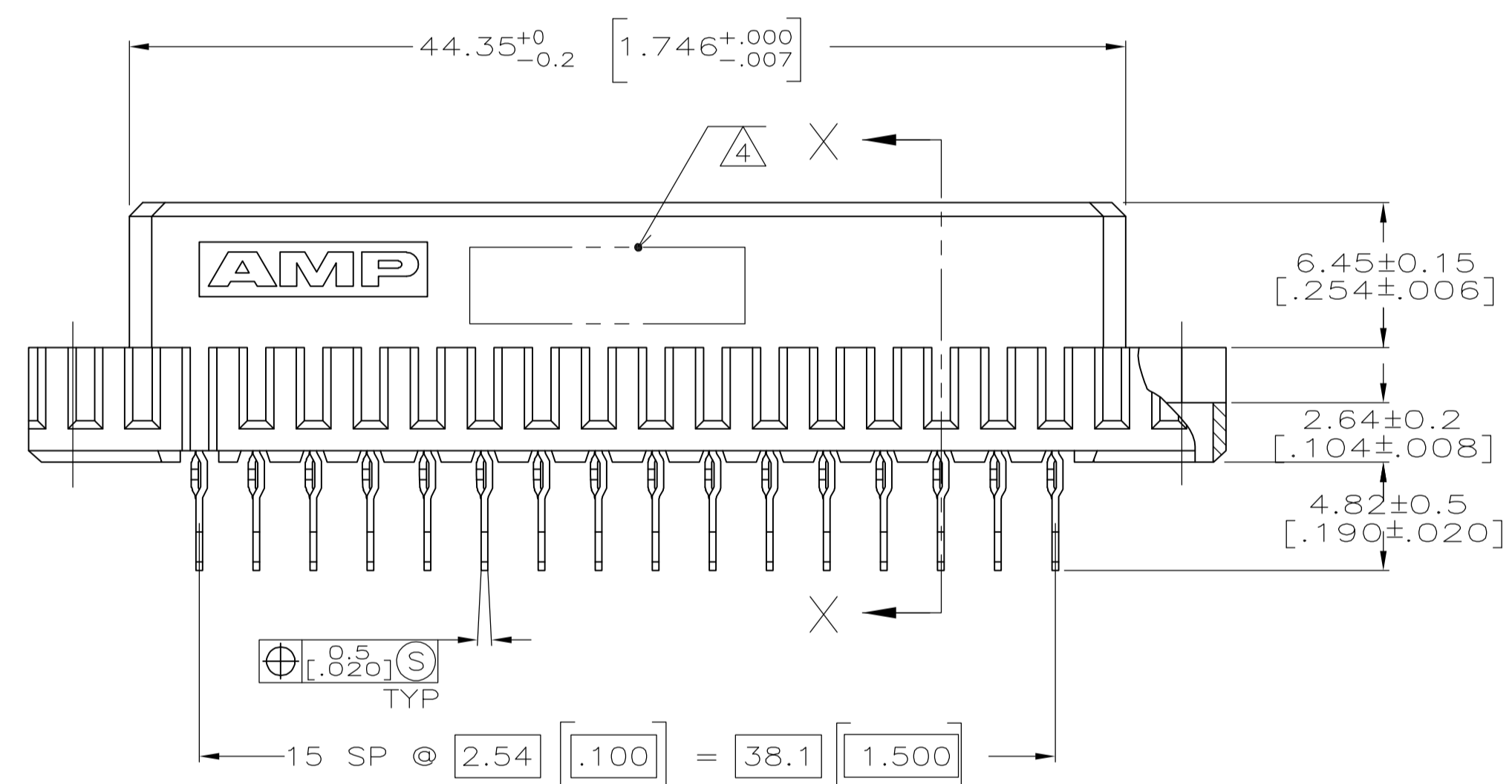
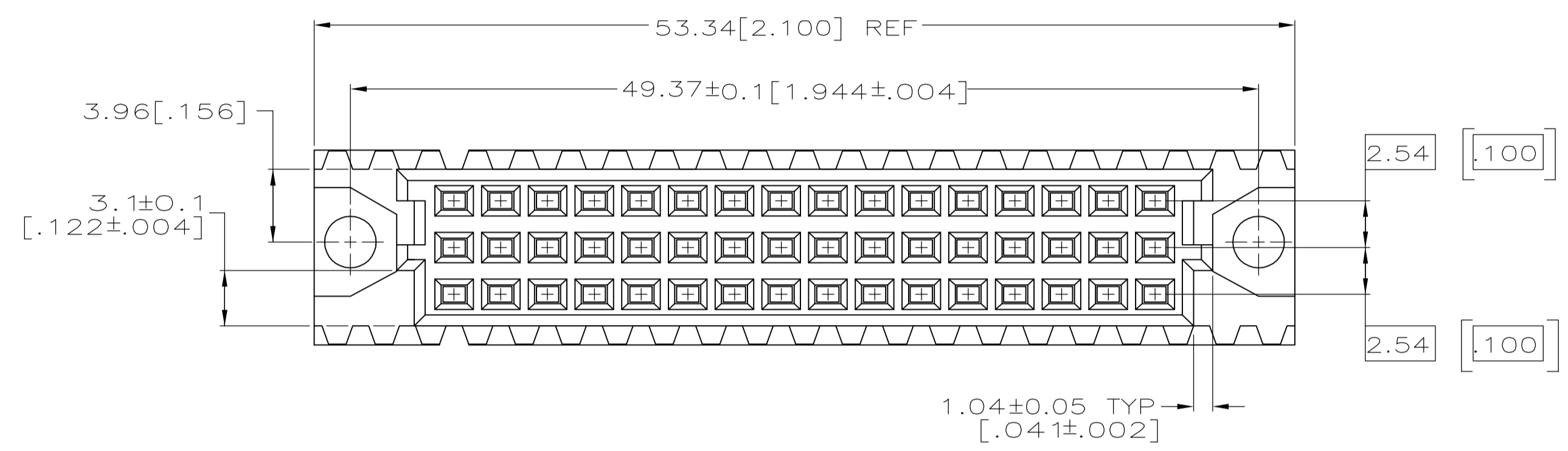


- △ HOUSING MATERIAL: GLASS-FILLED POLYESTER. COLOR: GRAY.
- △ CONTACT MATERIAL: PHOSPHOR BRONZE.
- △ CONTACT FINISH: DIN 41612 CLASS 2 IN CONTACT AREA.  
0.00127[.000050] NICKEL UNDERPLATE ALL OVER. TIN-LEAD ON TAILS.
- △ PART NUMBER, DATE CODE IDENTIFICATION, CSA LOGO IN THIS APPROXIMATE AREA.
- △ POINT OF MEASUREMENT FOR GOLD.
- △ ACTION PIN POSTS REQUIRE 1.57[.062] MIN THICK PC BOARD.  
RECOMMENDED PC BOARD HOLES ARE  $\varnothing 1.51 \pm 0.02 [0.453 \pm 0.01]$  DRILLED HOLE  
WITH 0.02-0.07[.001-.003] COPPER AND 0.008[.0003] MIN TIN-LEAD PLATING.  
FINISHED HOLE AFTER PLATING,  $\varnothing 0.94 - 1.09 [0.37 - 0.43]$ .
- △ CENTER ROW OF PLATED THRU HOLES NOT REQUIRED FOR THIS  
CONNECTOR LOAD PATTERN.
- △ CONTACT FINISH: DIN 41612 CLASS 3 IN CONTACT AREA.  
0.00127[.000050] NICKEL UNDERPLATE ALL OVER. TIN-LEAD ON TAILS.



OBSOLETE	8	1 THRU 16	X	-	X	32	535068-9
	3	1 THRU 16	X	-	X	32	535068-5
	3	1 THRU 16	X	-	X	32	535068-4
NOTES		POSITIONS LOADED	C	B	A	NO. OF LOADED POSITIONS	ASSY PART NUMBER

THIS DRAWING IS A CONTROLLED DOCUMENT.		DIN L. BRINER 5/9/89	Tyco Electronics Corporation Harrisburg, PA 17105-3608	
DIMENSIONS: mm [INCHES]		CHK R.L. BRANDT 7/13/94	ASSEMBLY, RECEPTACLE, EUROCARD, TOOLLESS PRESSFIT, 48 POSITION	
TOLERANCES UNLESS OTHERWISE SPECIFIED:		APVD	RESTRICTED TO	
0 PLC ± -	1 PLC ± -	PRODUCT SPEC	SIZE	CAGE CODE
2 PLC ± -	3 PLC ± 0.13[.005]	APPLICATION SPEC	A1	00779
4 PLC ± -	ANGLES ± -	WEIGHT	SCALE	4:1
MATERIAL		FINISH	DRAWING NO	SHEET 1 OF 1
CUSTOMER DRAWING		REV	REV	